

Assembly Instructions

Protection Screen



Chat Protection Screen

Van Raam
Guldenweg 23
7051 HT Varsseveld, The Netherlands
☎ +31 (0)315 – 25 73 70
✉ info@vanraam.com
🌐 www.vanraam.com



Version 23.03

Contents

Contact details manufacturer	2
Conformity.....	2
Introduction.....	3
Assembly of the protection screen	4

Contact details manufacturer

Van Raam
Guldenweg 23
7051 HT Varsseveld, The Netherlands

☎ +31 (0)315 – 25 73 70

✉ info@vanraam.com

🌐 www.vanraam.com

Conformity

Van Raam, the manufacturer, declares that the tricycles as described in this user manual have been produced conform Regulation (EU) 2017/745, risk class 1. Furthermore, the products also conform to directive 2006/42/EG. The declaration of conformity can be found on the Van Raam website.

Introduction

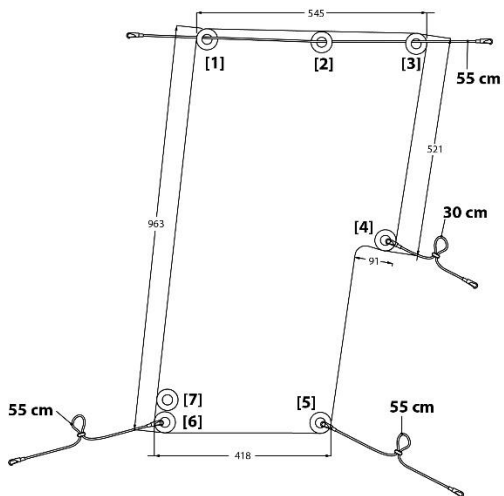
This user manual lays out important and necessary information regarding the assembly and the use of the protection screen. We request you to carefully read this user manual before using the product. Always follow the instructions as documented in this user manual.

In case this product will be used by minors, or people with reduced mental capacity. All safety and user aspects in this user manual have to be clearly explained by a responsible supervising person.



READ CAREFULLY

Assembly of the protection screen



Step 1:

Remove all cushions from the seat. Release and lower the footrest in order to open the buttons at the bottom of the seat



Step 2:

The opening next to the seat belt attachment points is now clear.



Step 3:

A small luggage compartment is located behind the seat. There is an opening to the front of the seat at the bottom of this compartment. Push the elastic rope and hook through the opening until it reaches the front of the seat.



Step 4:

Place the cushions back onto the seat. Pull the elastic rope and the seat belts through the opening in the middle of the cushions. Clamp the hook onto opening [5].



Step 5:

Attach the elastic rope to the frame at the back of the seat. The clip can be used to create a loop in order to alter the tension of the elastic rope.



Step 6:

Now you can attach the protection screen to the top of the canopy.



Step 7:

At the back of the canopy, pull the cord around the frame from the bottom upwards and clamp the hook onto opening [3].



Step 8:

Repeat step 7 at the front of the canopy. Clamp the hook onto opening [1].



Step 9:

Open some buttons of the canopy in order to make way for the elastic rope.



Step 10:

Pull the rope back around the frame.



Step 11:

Clamp the hook at the end onto the opening [4]. The clip can be used to create a loop in order to alter the tension of the elastic rope.



Step 12:

First release and lower the footrest. The rope that is attached to the opening [6] can now be attached to the horizontal bar that became visible.



Caution! If the protection screen is not properly tensioned, you can use opening [7]. This can occur with previous models of the canopy.

Step 13:

The clip can be used to create a loop in order to alter the tension of the elastic rope. This way you can tighten or loosen up the elastic rope.

