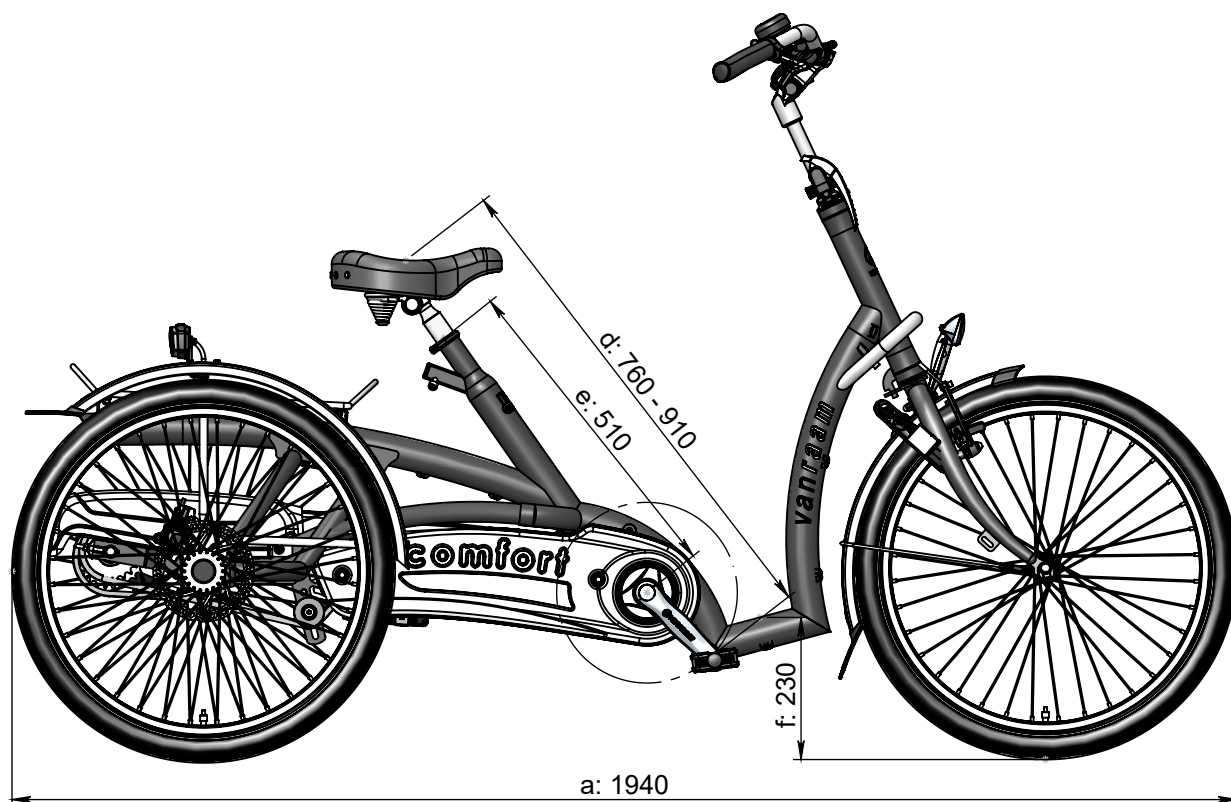
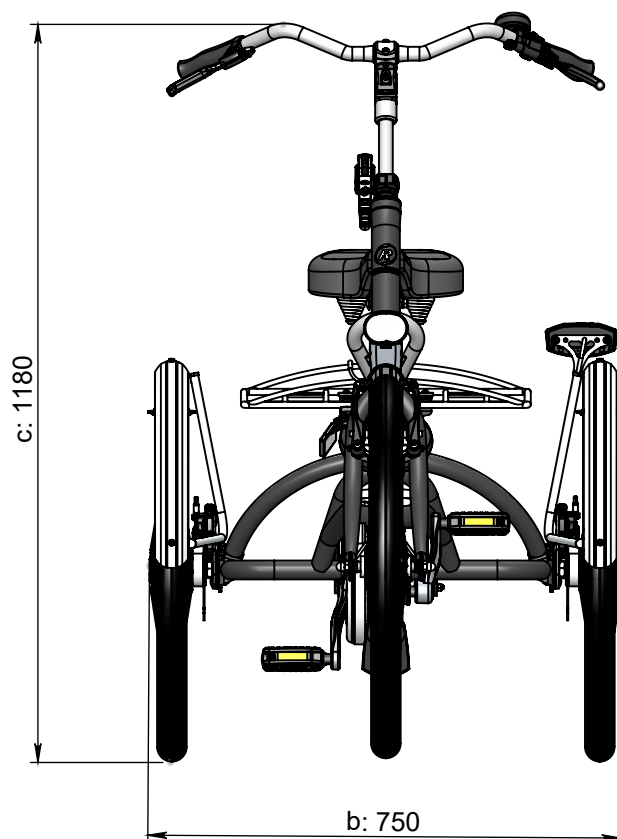




vanraam®
Let's all cycle



turning circle = 3,1 m

Standard frame size (510 mm)

a = length 1940 mm
b = width 750 mm
c = height 1180 mm
d = inseam 760 mm - 910 mm
e = frame height 510 mm
f = standover height 230 mm

Frame size (420 mm)

a = length 1940 mm
b = width 750 mm
c = height 1180 mm
d = inseam 670 mm - 820 mm
e = frame height 420 mm
f = standover height 230 mm

Frame size (610 mm)

a = length 1940 mm
b = width 750 mm
c = height 1180 mm
d = inseam 850 mm - 1000 mm
e = frame height 610 mm
f = standover height 230 mm