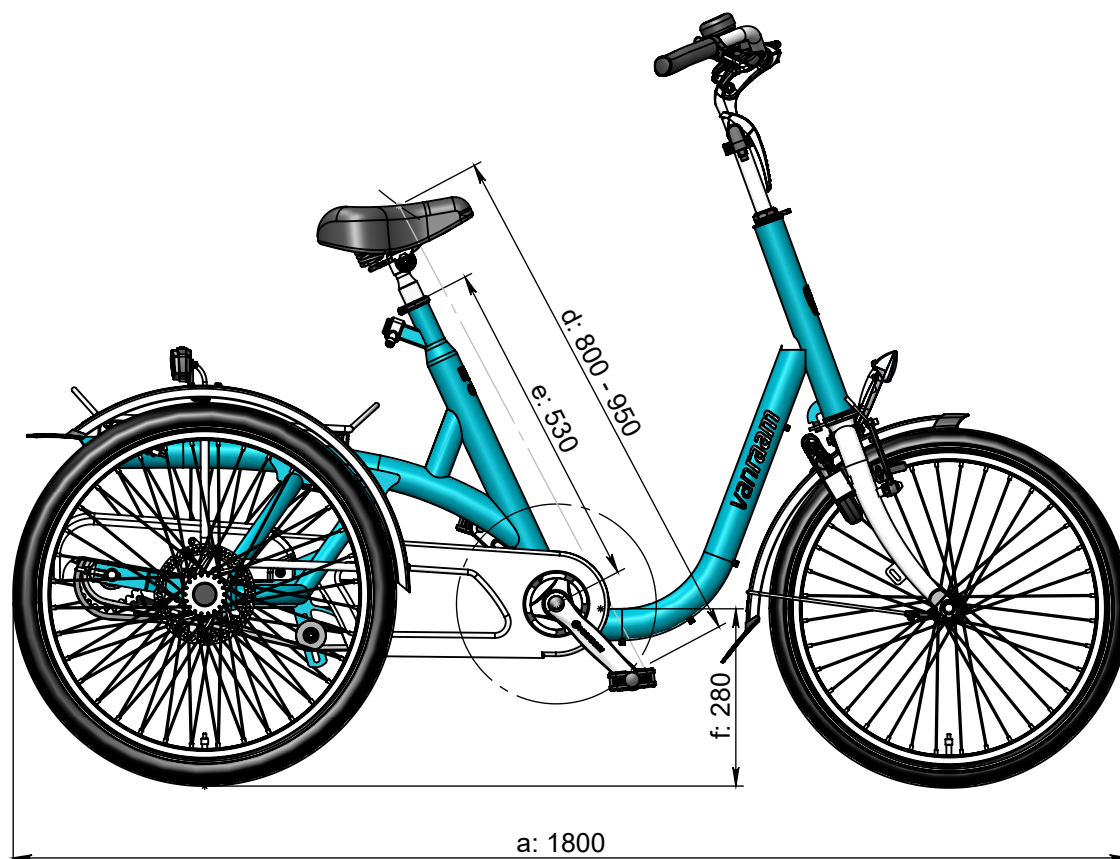
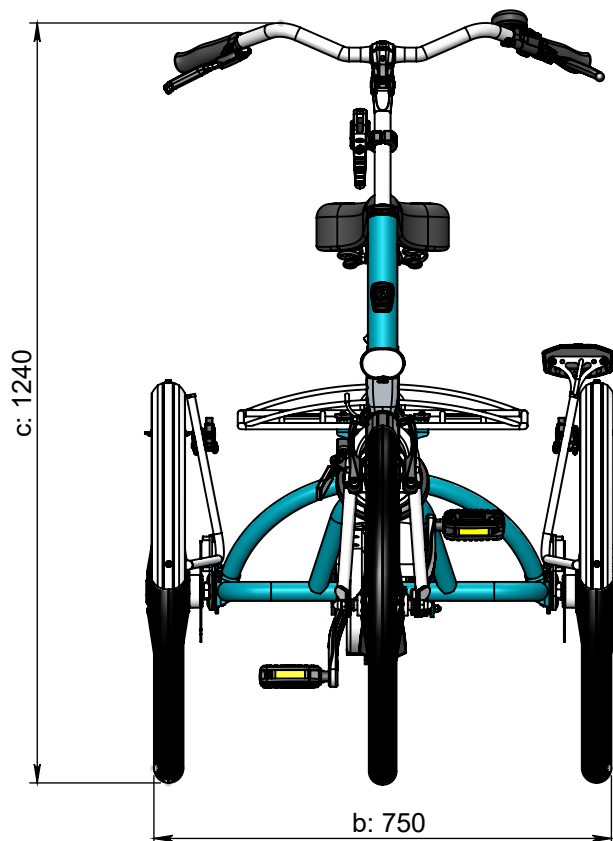




vanraam®
Let's all cycle



turning circle = 2,9 m

Standard frame size (530 mm)

a = maximum length 1800 mm
b = maximum width 750 mm
c = height 1240 mm
d = inseam 800 mm - 950 mm
e = frame height 530 mm
f = standover height 280 mm

Frame Size (440 mm)

a = maximum length 1800 mm
b = maximum width 750 mm
c = height 1240 mm
d = inseam 710 mm - 860 mm
e = frame height 440 mm
f = standover height 280 mm

Frame Size (620 mm)

a = maximum length 1800 mm
b = maximum width 750 mm
c = height 1240 mm
d = inseam 890 mm - 1040 mm
e = frame height 620 mm
f = standover height 280 mm